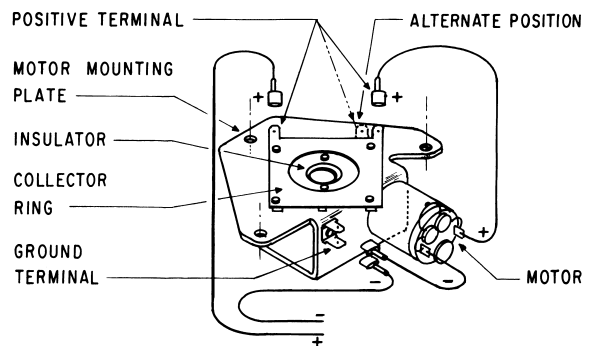
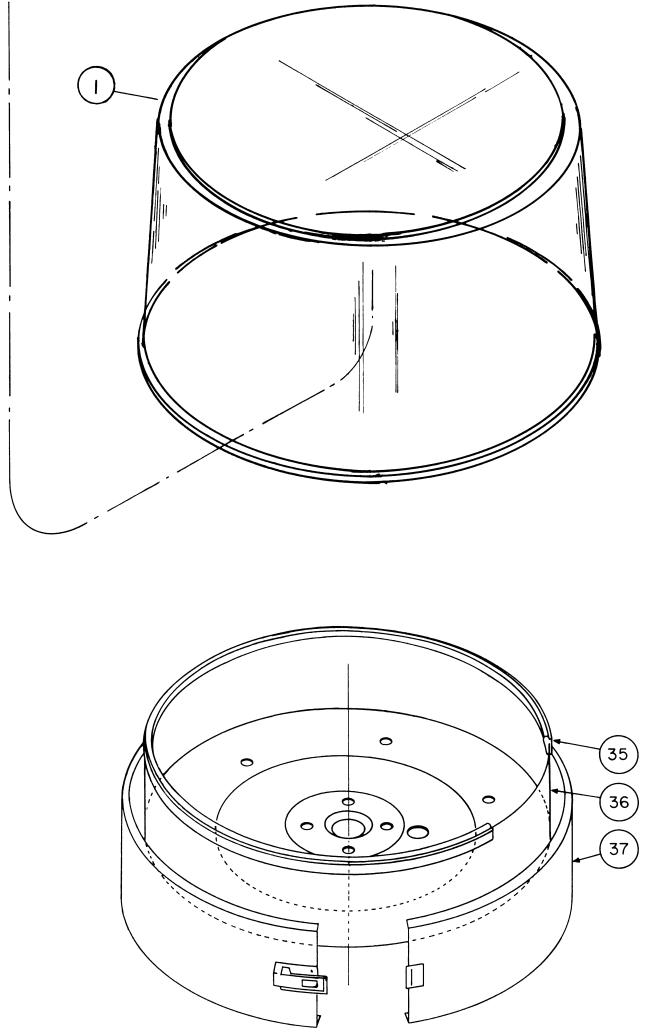
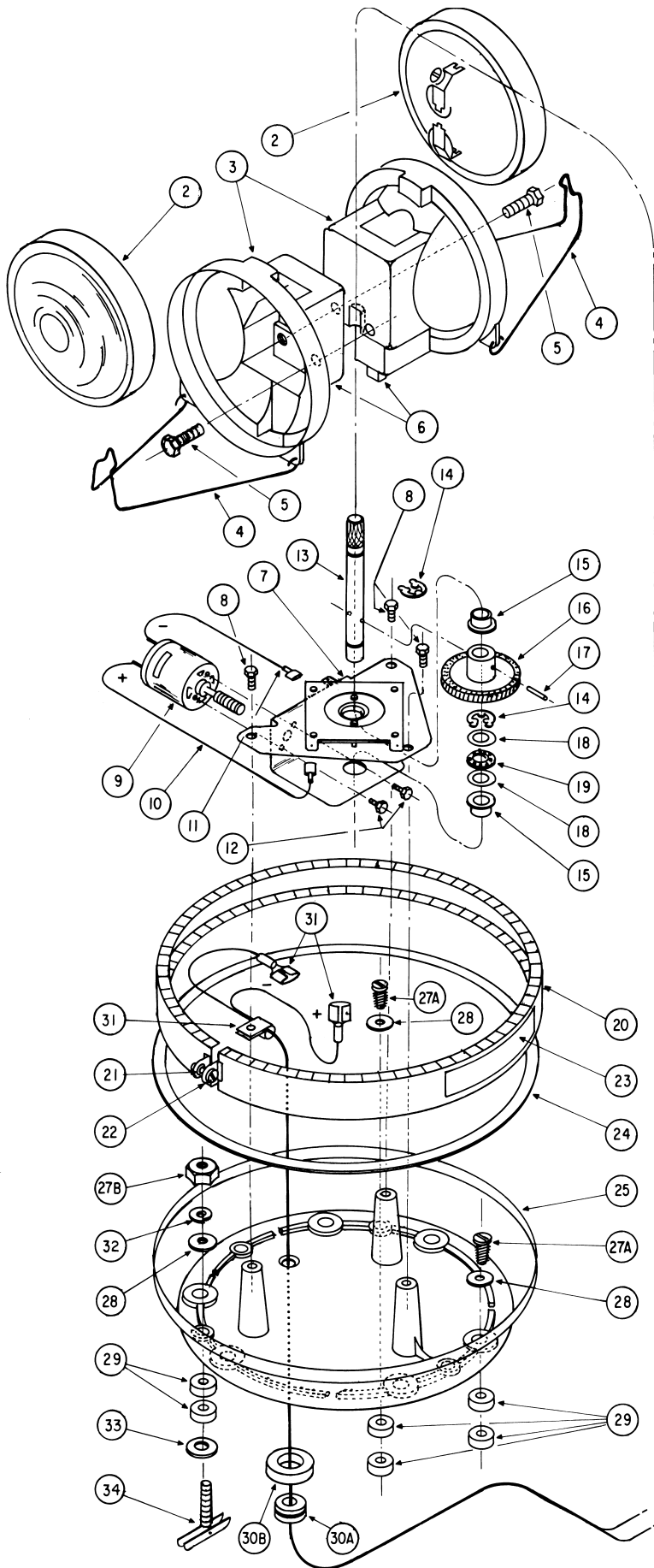


ROTATING LIGHT
14 AND 14 SERIES C



290C2606B

Rotating Light

Models 14 and 14 Series C

PPL 0268
PARTS LIST

Printed 1999

Item No.	Description	Part Number	Models 14 & 14 Series C												
			14		14SB		14SB-012C-RA		MS51317 (14MS)		MS51317 (14MS-1Z)				
			12V	24V	12V	24V	12V	*	14V	28V	14V	28V			
1	Dome, Acrylic, Red	Z8422C002-01													
	Dome, Acrylic, Blue	Z8422C002-09													
	Dome, Acrylic, Green		1	1	1	1									
	Dome, Acrylic, Amber	Z8422C002-04	AR	AR	AR	AR									
	Dome, Acrylic, Clear	Z8422C002-05							1	1					
	Dome, Merlon, C.I.E. Blue	Z8422C002A-07													
	Dome, Lexan, Swedish Blue														
2	Lamp 12V, Clear GE4416	Z8107A033	2		2					2			2		
	Lamp 24/28V, Clear GE4505	Z8107A027		2		2						2		2	
	Lamp 12V, Red, GE4416R	Z8107A042							1						
	Lamp 24V, Red									1					
	Lamp 12V, Amber GE4416A	Z8107A059							1						
	Lamp 24V, Amber									1					
3	Dual Lamp Mechanism Assembly, 12V	Z8422514A	1		1			1							
	Dual Lamp Mechanism Assembly, 14V	Z8422514A-02								1			1		
	Dual Lamp Mechanism Assembly, 24V	Z8422514A-01		1		1			1						
Includes items 4 thru 19 (shown below)															
3A	Lamp Holder Assy. (replacement)	Z8422B412A	AR	AR	AR	AR	AR	AR	AR	AR	AR	AR	AR	AR	AR
4	Clamp, Lamp	Z8542A166A	2	2	2	2	2	2	2	2	2	2	2	2	2
5	Screw, #10 x 3/4 Thd. Frm., Hex Wsh. Hd.	Z7011A122-12	2	2	2	2	2	2	2	2	2	2	2	2	2
6	Spring, Brush	Z8240A032	2	2	2	2	2	2	2	2	2	2	2	2	2
	Brush (replacement)	Z8240A031	2	2	2	2	2	2	2	2	2	2	2	2	2
7	Motor Bracket Assembly	Z8422507C	1	1	1	1	1	1	1	1	1	1	1	1	1
8	Screw, #10 x 1/2 Thd. Frm., Hex Wsh. Hd.	Z7011A122-08	3	3	3	3	3	3	3	3	3	3	3	3	3
9A	Motor 12V, leads required items 10 & 11	Z8422508A	1		1			1							
9B	Motor 14V, leads supplied w/motor									1			1		
9C	Motor 24V, leads required items 10 & 11			1		1			1						
9D	Motor 28V, leads supplied w/motor											1		1	
10	Wire, Terminated Red +, 6" Lg.		1	1	1	1	1	1	1						
11	Wire, Terminated Black -, 3" Lg.		1	1	1	1	1	1	1						
12	Screw, #4-40 x 1/4 Int. Sems Hex. Hd.	Z7006A016B-04	2	2	2	2	2	2	2	2	2	2	2	2	2
13	Shaft	Z8422501A	1	1	1	1	1	1	1	1	1	1	1	1	1
14	Ring, Retaining	Z8422A010	2	2	2	2	2	2	2	2	2	2	2	2	2
15	Bearing	Z8422A011	2	2	2	2	2	2	2	2	2	2	2	2	2
16	Gear	Z8422504C	1	1	1	1	1	1	1	1	1	1	1	1	1
17	Pin, Roll	Z7091A017A	1	1	1	1	1	1	1	1	1	1	1	1	1
18	Washer, Thrust	Z8449A021	2	2	2	2	2	2	2	2	2	2	2	2	2
19	Retainer, Thrust	Z8449A022	1	1	1	1	1	1	1	1	1	1	1	1	1
20	Retaining Band Assembly (stainless)	Z8422C381A-01			1	1	1	1	1	1	1				
	Retaining Band Assembly (black oxide)	Z8422524A												1	1
21	Washer, Flat Fiber	Z7072A171												1	1
22	Screw, #6 - 32 x 3/8	Z7000A059-06												1	1
23	Nameplate 12V	Z81461089A	1		1			1							
	Nameplate 14V MS51317	Z8146A986A-01								1			1		
	Nameplate 24V	Z81461089A-01		1		1			1						
	Nameplate 28V MS51317	Z8146A986B										1			1
24	Gasket, Dome	Z8422A388A			1	1	1	1	1	1	1	1	1	1	1
25	Housing, Permanent Mount, Black	Z8422C377A			1	1	1	1	1						
	Housing Permanent Mount, Gray										1	1			
	Housing, Permanent Mount, Black												1	1	
26A	Permanent Mounting Kit, Model 14 contains items 27A, 28, 29, 30A, & 31	Z8422511A	1	1	1	1	1	1	1						
26B	Accessory Kit, 14MS contains items 27B, 28, 29, 30B, 33, 34, & 35	Z8422520A								1	1	1	1	1	1
27A	Screw, #14 x 1 Thd. Frm. Type A Slotted Pan Head	Z7011A084-16	3	3	3	3	3	3	3						
27B	Hex Nut 1/4 - 20 Double Chmf.	Z7059A018										3	3	3	3
28	Washer, Flat Steel 0.265 I.D.	Z7072A025	3	3	3	3	3	3	3	3	3	3	3	3	3
29	Pad, Mounting (neoprene)	Z8422A033	6	6	6	6	6	6	6	6	6	6	6	6	6
30A	Grommet	Z8108A005	1	1	1	1	1	1	1						
30B	Gasket	Z8422522A										1	1	1	1
31	Clamp, Cable	Z8542A028A-01										1	1	1	1
32	Lockwasher, Split	Z7074A015										3	3	3	3
33	Washer, Flat Steel 0.344 I.D.	Z7072A031										3	3	3	3
34	Bolt, Toggle, 1/4 - 20 x 2	Z8422A032										3	3	3	3
35	Gasket	Z8422A020	1	1											
36	Housing, Aluminum	Z8422C003C	1	1											
37	Retaining Band Assembly	Z8422C025	1	1											

DO NOT ORDER PARTS BY ITEM NUMBER.
Give model, description and part number.
When a part number is not supplied, the part is **NOT** available.
Refer to PARTS PRICE LIST (Part No. 1001) for prices of parts.

Federal Signal Corporation
2645 Federal Signal Drive
University Park, IL 60466

Printed in U.S.A.