

SY 12 FM

SENTRY
VOLTAGE
12V, or 24V
SPEED
F (Fast) 175 F.P.M.
12V Models only
S (Standard) 95 F.P.M.
MOUNTING
M (Magnetic)
P (1/2" Pipe)
S (Permanent, or Surface)

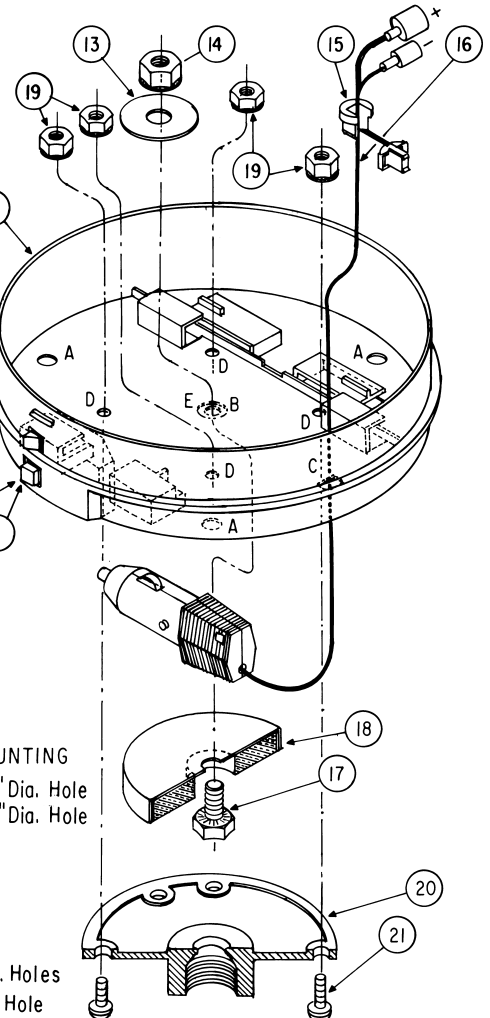
MECHANISM RELEASE TABS
(PUSH DOWN)

PERMANENT, OR SURFACE MOUNTING
A, Three 0.201" Dia. Holes

PUSH TO RELEASE DOME
REF-11

MAGNETIC MOUNTING
B, One 0.28" Dia. Hole
C, One 0.45" Dia. Hole

PIPE MOUNTING
D, Four 0.177" Dia. Holes
E, One 0.63" Dia. Hole



Item No.	Description	Part No.	Qty.
1	Dome, Clear	Z8433001A	1 AR
	Dome, Red	Z8433001A-01	
	Dome, Amber	Z8433001A-02	
	Dome, Blue	Z8433001A-03	
	Dome, Green	Z8433001A-04	
	Dome, CIE Blue	Z8433001A-05	
2	Reflector and Gear Assembly	Z8559187B	1
3	Lamp, Halogen, 55W, 12V	Z8440A265A-01	1
	Lamp, Halogen, 70W, 24V	Z8444A151A	AR
4	Clip, Socket	Z8550133A	1
5	Clip, Motor	Z8550138A	1
6	Motor and Worm Gear Assembly, 12V Standard	Z8559A055A	1
	Motor and Worm Gear Assembly, 12V Fast	Z8559A055A-01	AR
	Motor and Worm Gear Assembly, 24V	Z8559A055A-02	
7	Plate and Socket Assembly	Z8433007A	1
8	Lead Wire Assembly	Z146A678B	1
9	Terminal, Q.D. 0.25, 22-18		1
10	Base, Permanent or Flush Mounting	Z8433002B-01	1
	Base, Pipe Mounting	Z8433002B-02	AR
11	Ratchet	Z8433003B	1
12	Seal, Mylar (used with pipe mounting)	Z8433040A	1
	Seal, Mylar (used with magnetic mounting)	Z8433040A-01	AR
13/18	Magnetic Mounting		
13	Washer, Flat	Z7072A026	1
14	Nut, Ext. Keps 1/4-20	Z7058A005	1
15	Strain Relief, Heyco	Z231A117	1
16	Plug and Wire Lead Assembly	Z175779A	1
17	Screw, Ext. Sems, 1/4-20 x 1/2	Z7006A027-08	1
18	Magnet Assembly	Z8550A012A	1
19/21	Pipe Mounting		
19	Nut, Ext. Keps 8-32	Z7058A022	4
20	Flange, Mounting, Black	Z8241B017J-02	1
21	Screw, mach. Phl. Pan Hd., 8-32 x 7/16	Z7000A408-07	4
Not Shown			
	Mounting Kit Hardware		
	Permanent or Surface Mounting Kit	Z8433010A	1
	Pipe Mounting Kit		
	Clamp, Cable Tie	Z150A109	2
	Terminal, Q.D., 250	Z224A216A-04	1
	Terminal, Q.D., 250	Z224A217A-02	1
	Magnetic Mounting Kit (none required)		0

DO NOT ORDER PARTS BY ITEM NUMBER.

Give model, description and part number.

When a part number is not supplied, the part is **NOT** available.

Refer to PARTS PRICE LIST (Part No. 1001) for prices of parts.

Federal Signal Corporation

2645 Federal Signal Drive

University Park, IL 60466

Printed in U.S.A.