

# Guardian™ Series

STROBE, HALOGEN OR Super-LED® MINI LIGHTBARS

**NEW** PRODUCT!



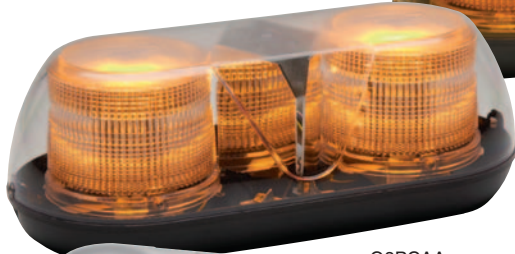
Officially Licensed  
Warning Lights of  
NASCAR®



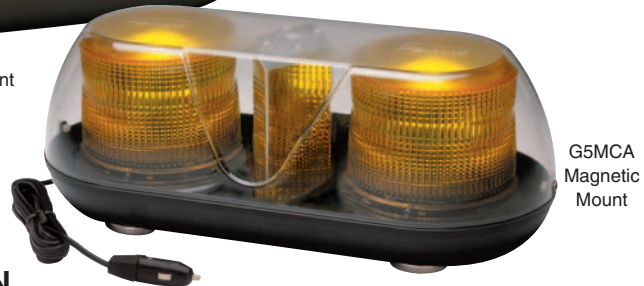
G7PCRB  
Permanent  
mount



G1VA / G2VA  
Magnetic Suction Mount



G8PA  
Permanent  
mount



G5MCA  
Magnetic  
Mount



G8PCAA  
Permanent  
mount  
(shown lit  
and unit)

*New sleek styling, superior light output, universal mounting, as well as quiet and reliable operation make the Guardian Series of products your first choice for warning protection.*

*The Guardian Series is available in halogen, strobe and Super-LED® lighting with permanent, magnetic or "new" magnetic suction mount variations to meet your every need.*

*Multi-color configurations available with domes, filter kits or beacons.*

 Super-LED available in red, amber, blue, white

 Available in all 6 safety colors

Form# GUAR0705

## HALOGEN

### G1 and G2 Series

- Attention getting G1 Series with 135 RPM rotators, or G2 Series with 175 RPM rotators.
- Brilliant full size diamond mirror provides a total of 540 FPM for G1 or 700 FPM for G2.
- High Intensity 55 watt H1 bulbs (12 Volt Version).
- Large, precision engineered, wide-angle reflectors provide maximum intensity at all times.
- Quiet and reliable double ball bearing motor assembly with 3 year full factory warranty.
- Standard 12 VDC (24 VDC available upon request).

## STROBE

### G5 and G7 Series

- G5 Series with two Class 1, self-contained strobe beacons offer highly effective QuintFlash™ as well as a full sized diamond mirror. Each beacon provides 22-watts output, 19 joules and 72 FPM (288 FPM total).
- G7 Series with two remote strobe heads and built-in remote power supply offers our attention getting, alternating CometFlash® and a 1/2 sized diamond mirror. The built-in strobe power supply provides 40 watts, 12 joules and 120 FPM (480 FPM total).
- Hi/Low intensity control, standard.

- Strobe models are 12-24 VDC.
- Multi-color configuration with clear outer dome and color inner domes.
- 2 year warranty on power supply and 6 month warranty on strobe flash tube.

## Super-LED

### G8 Series

- Two Super-LED beacons and full size diamond mirror.
- 14 Scan-Lock™ flash patterns to choose from, 75 alternating SignalAlert™ FPM set as default pattern.
- 100,000 hours rated life.
- 1.3 amp draw (peak), 0.52 (average) @ 12.8 VDC.
- SAE J845 Class 2 Certified (amber).
- Clear or color outer dome, clear inner domes with color LEDs.
- 5 year warranty.

All Whelen Products  
are proudly  
Designed &  
Manufactured  
in the U.S.A.



**WHELEN**®  
Engineers for the Emergency Warning Industry

GUARDIAN SERIES MINI LIGHTBARS

# GUARDIAN™ SERIES SPECIFICATIONS

- Permanent bolt mount versions include 6" pigtail.
- Magnetic mount versions include four 50 lb. pull magnetics, 8' straight cord and cigar plug.
- Magnetic suction mount versions includes two 110 lb pull magnets overcoated with non-marring rubber with suction control. Includes 8' straight cord and cigar plug.

## HALOGEN MODELS



### G1 Series

Includes two 135 RPM rotators and full size diamond mirror.

G1M\* .....magnetic mount.

G1P\* .....permanent mount.

G1V\* .....magnetic suction mount.

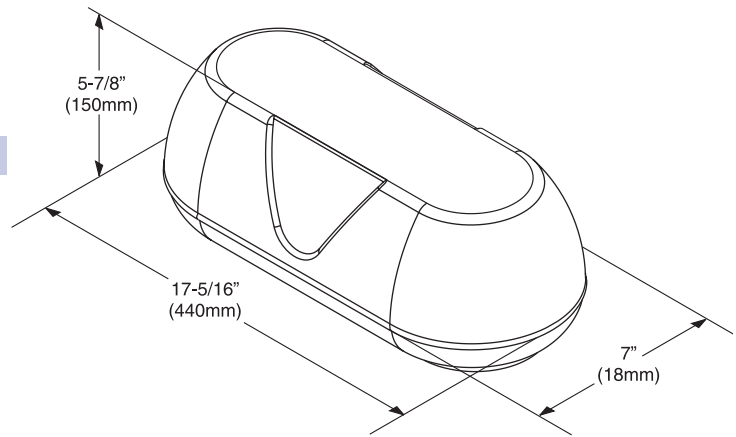
### G2 Series

Includes two high speed 175 RPM rotators and full size diamond mirror

G2M\* .....magnetic mount.

G2P\* .....permanent mount.

G2V\* .....magnetic suction mount.



## STROBE MODELS



### G5 Series

Includes two 2022 strobe beacons and full size diamond mirror.

G5M\* .....magnetic mount, color outer dome.

G5P\* .....permanent mount, color outer dome.

G5V\* .....magnetic suction mount, color outer dome.

G5MC\*\* ..magnetic mount, clear outer dome, color inner domes.

G5PC\*\* ..permanent mount, clear outer dome, color inner domes.

G5VC\*\* ..magnetic suction mount, clear outer dome, color inner domes.

### G7 Series

Includes two remote strobe beacons, one built-in 40 watt power supply and half size diamond mirror.

G7M\* .....magnetic mount, color outer dome.

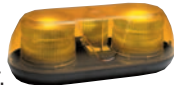
G7P\* .....permanent mount, color outer dome.

G7V\* .....magnetic suction mount, color outer dome.

G7MC\*\* ..magnetic mount, clear outer dome, color inner domes.

G7PC\*\* ..permanent mount, clear outer dome, color inner domes.

G7VC\*\* ..magnetic suction mount, clear outer dome, color inner domes.



## Super-LED® MODELS



### G8 Series

Includes two Super-LED beacons, full size diamond mirror and clear inner domes (color is created by LED beacon color).

G8M\* .....magnetic mount, color outer dome.

G8P\* .....permanent mount, color outer dome.

G8V\* .....magnetic suction mount, color outer dome.

G8MC\*\* ..magnetic mount, clear outer dome.

G8PC\*\* ..permanent mount, clear outer dome.

G8VC\*\* ..magnetic suction mount, clear outer dome.

\*Replace symbol in model number with letter indicating dome or LED color desired:  
A=Amber, B=Blue, C=Clear, G=Green, R=Red, V=Purple.

## OPTIONS

G1MM90..90 lb. pull magnetic mount kit with cigar plug for G1, G2 and G5 Series.

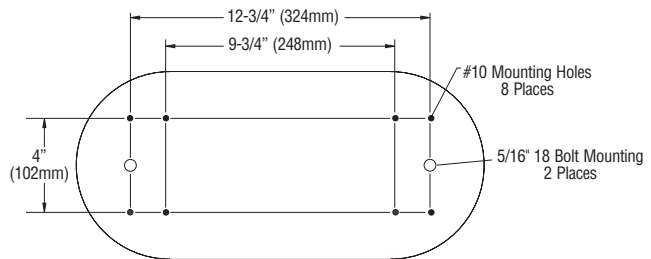
G7MM90..90 lb. pull magnetic mount kit with cigar plug for G7 and G8 Series.

INSTLRDX..Installation of G1MM90 or G7MM90 magnetic mount kit, permanent mount models only.

KCF\* .....Inner filter kit for G1/G2 Series halogen models, customer installed. (Use with clear outer dome.)

## MOUNTING

Guardian Series has choice of mounting holes.



*The use of any magnetic or magnetic/suction mounted warning beacon on the outside of a moving vehicle is not recommended and is at the sole risk of the user.*

**WHELEN**<sup>®</sup>  
ENGINEERING COMPANY, INC.

Route 145, Winthrop Road  
Chester, Connecticut 06412-0684  
(860) 526-9504 • Fax: (860) 526-4078  
www.whelen.com



Whelen Engineering reserves the right to upgrade and improve products without notice.